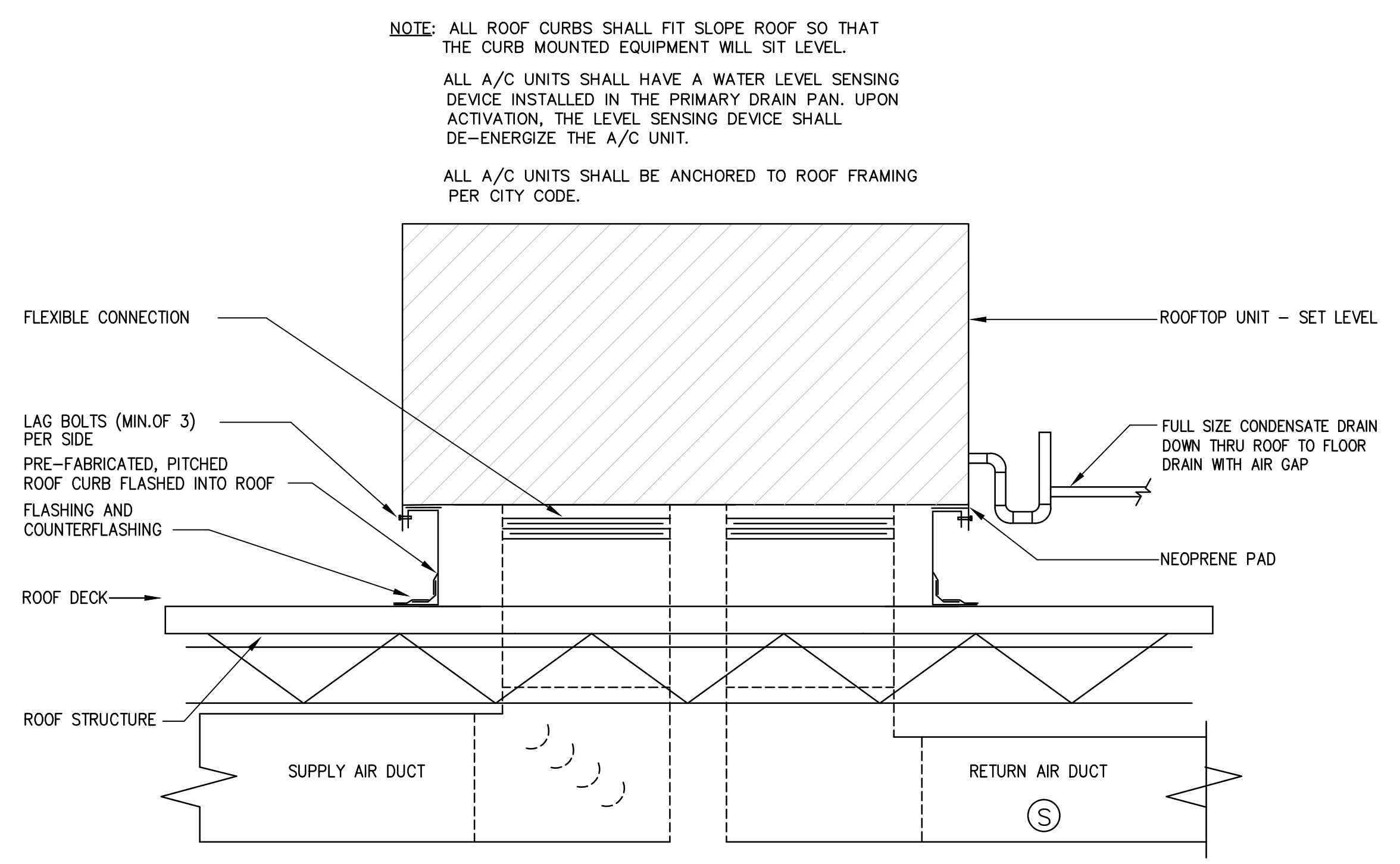
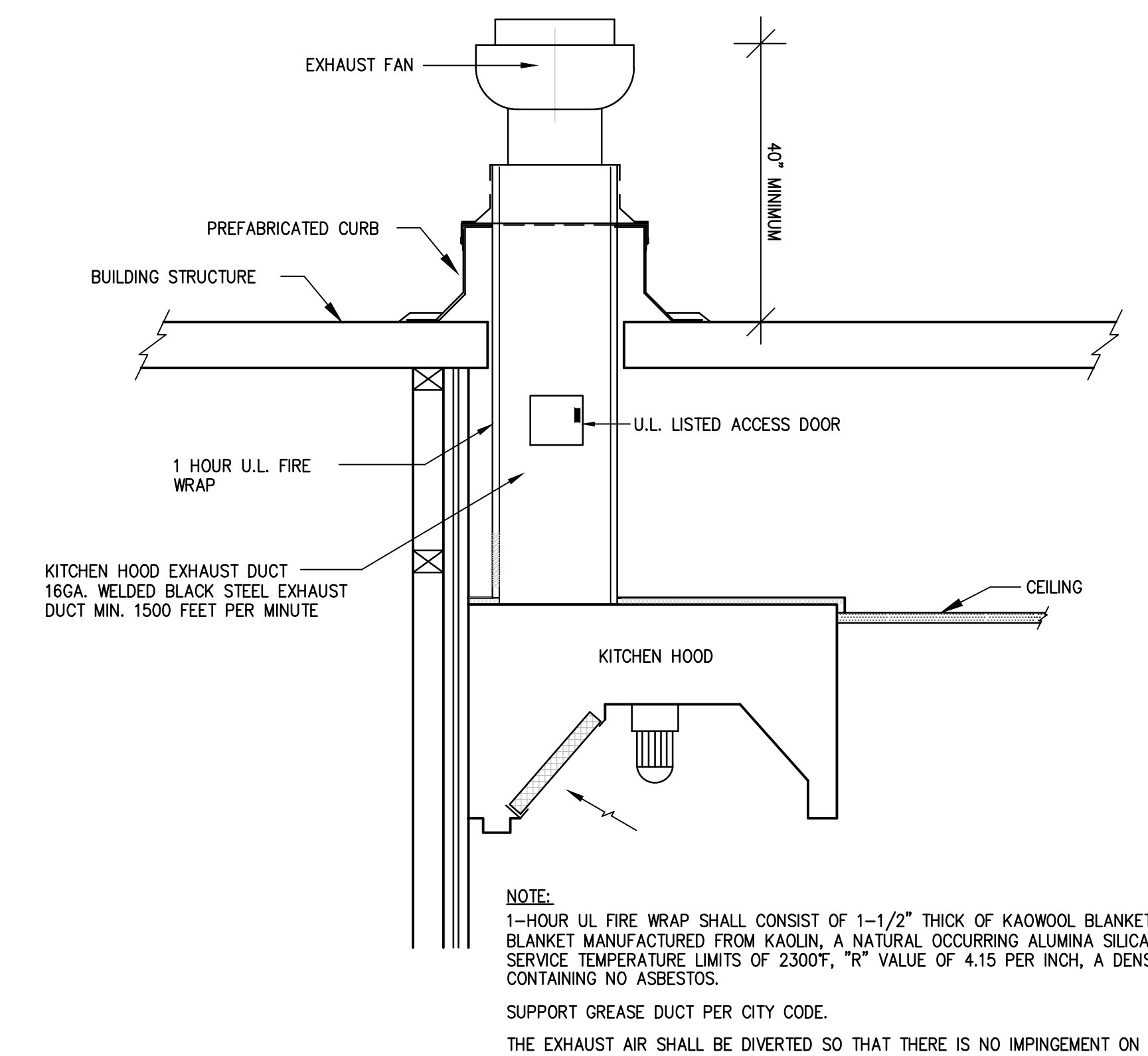


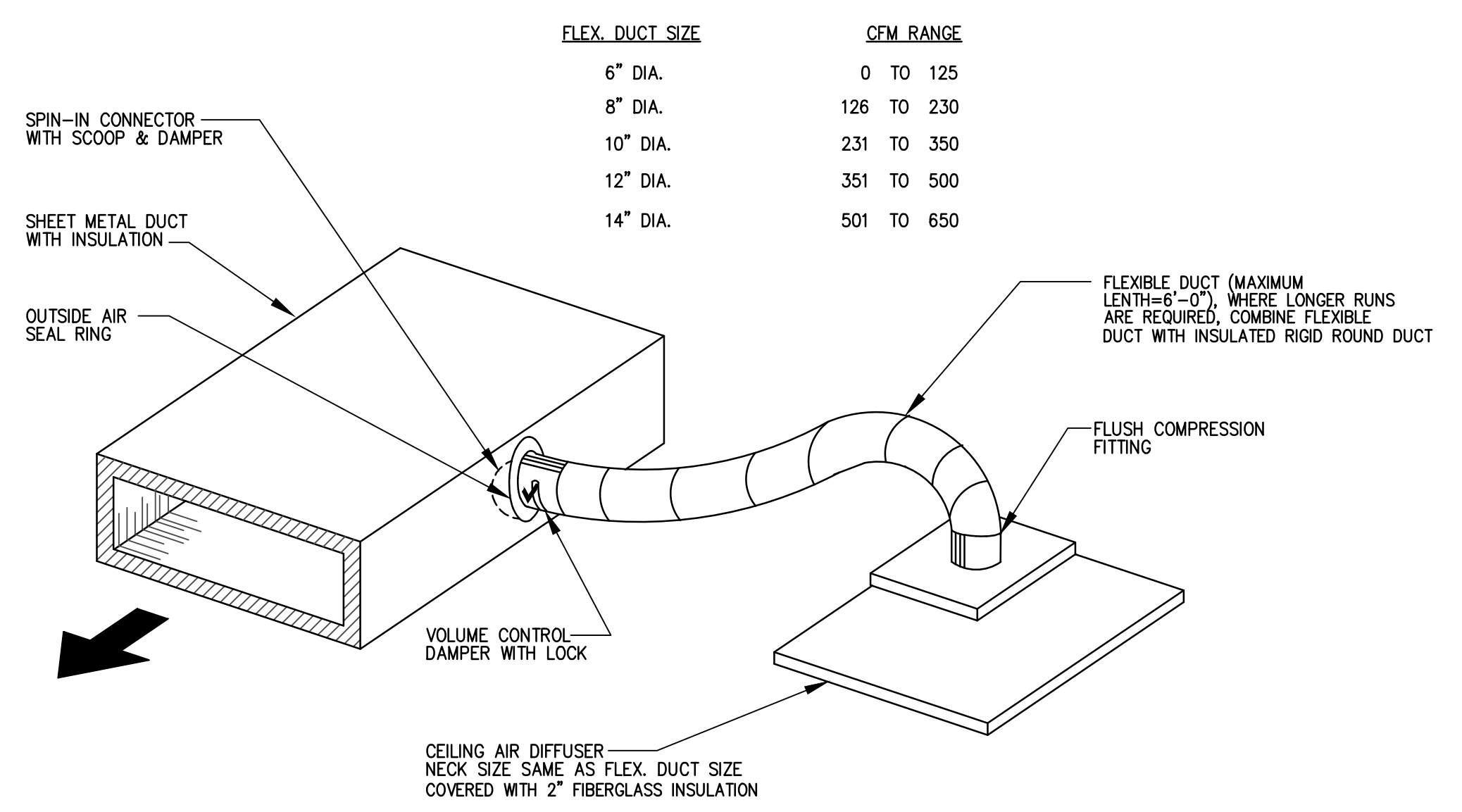
REVISIONS AND ISSUANCE		
NO.	DATE	DESCRIPTION
08/13/2018		PRICING



**01 ROOFTOP A/C UNIT DETAIL**  
SCALE: N.T.S.



**02 KITCHEN HOOD DETAIL**  
SCALE: N.T.S.



**03 FLEX DUCT EXTENSION DETAIL**  
SCALE: N.T.S.

IVY KIDS EARLY LEARNING CENTER  
 4434 CR 94  
 Manvel, Tx 77578

MEP Consultants  
 BLK Engineering & Consulting Co.  
 3423 Spring Arbor Ln.  
 Sugar Land, TX 77479  
 (1) 832 563 3127  
 TBPE Firm #12672

THESE DOCUMENTS ARE FOR INTERIM REVIEW AND NOT FOR CONSTRUCTION, BIDDING OR PERMIT PURPOSES.

RESPONSIBLE ENGINEER:  
 CHIH-TAI KENG  
 79201  
 08-13-2018

DRAWING TITLE	
<b>MECHANICAL DETAILS</b>	
DRAWN BY FK	CHECKED BY CK
DATE 03/30/2017	JOB NO. sedona lakes
DRAWING NO. <b>M-3.0</b>	